

Virtue™ Connector S Trap Toilet Suite



PRODUCT DESCRIPTION

**Cistern:**

Vitreous China

**Pan:**

Vitreous China with boxed rim for better self-cleaning.

**WELS:**

4 Star or 4.5/3 litres per flush

**Seat and lid:**

Polypropylene lid and seat

**Fittings and inclusions:**

Round chrome dual flush button  
Wall fixing kit  
Floor fixing kit

**Inlet:**

Bottom inlet - right hand (left hand optional)

**Inlet Valve:**

- Suits water pressure between 30kPa (4.35 psi) and 1000 kPa (145 psi)
- WDI B4900
- Quick fill operation
- WMKA00626
- ATS 5200.016

**Outlet:**

Set out range - 115mm-240mm

**Outlet Valve:**

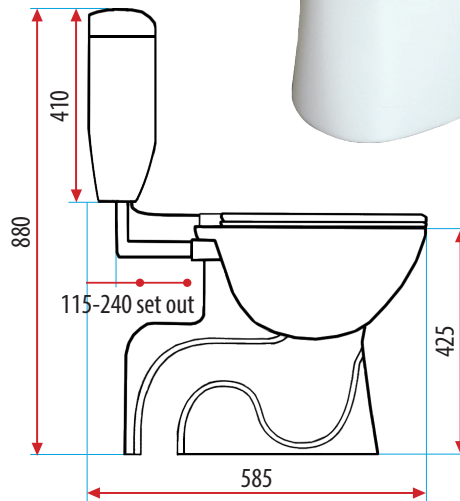
- WDI B4910
- WMKA00627
- ATS 5200.017

**Manufacturer's Warranty:**

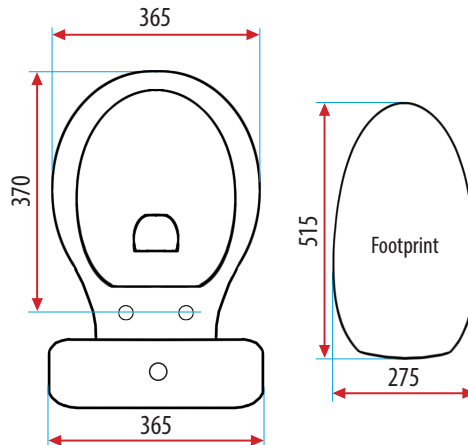
5 years cistern and pan  
1 year on internals  
1 year on hose and rubber fittings

**Product codes:**

75550 Virtue™ Connector S Trap Toilet Suite



Chrome dual flush button



Drawings are for illustrative purposes only and are not to scale.

Disclaimer: While every care has been exercised in compiling and publishing the data contained in these pages, Everhard accepts no responsibility for errors or omissions and all information is believed to be correct at the time of production. All colours have been reproduced with as much accuracy as possible. Dimensions and volumes are nominal. Please check the exact product measurements prior to beginning installation. Everhard reserves the right to delete or alter items without notice. Further information on warranties is available at [www.everhard.com.au](http://www.everhard.com.au)