

# QUADRANT / OFFSET QUADRANT

## Installation / Maintenance Instructions



## IMPORTANT NOTES :

Please Read Carefully & Retain these instructions for Future Reference.

1. For ease & safety we advise that two persons assemble this product.
2. Protect shower tray surfaces at all times.
3. Check for cables, pipes etc before drilling walls.
4. Ensure all surfaces are dry, clean & free of loose debris / dust.
5. Unpack goods with care (small parts can become lodged in packaging & inadvertently discarded). Check parts supplied against parts & fittings listed herein.  
Damaged parts / Omissions may be resolved by calling Lakes Bathrooms Helpline.
6. Whilst precautions are taken in manufacture, care must be taken when handling as rail ends may have sharp edges.
7. Before commencing, check :
  - a) shower tray is level & completely sealed to finished / tiled walls.
  - b) finished walls are sound & free of cracks loose tiles / grout.
  - c) tray protrusion from finished walls is within limits specified (Page 3 Dim'n Y).
  - d) tray radius is 550mm (check with supplier / manufacturer).
8. AFTER INSTALLATION, DO NOT 'WET' ENCLOSURE FOR 48 HOURS TO ENSURE FULL CURE OF SILICONE SEALANT.

## USE :

### General Care & Maintenance.

Providing this product is installed & operated in accordance with these instructions, problems should not arise. However should maintenance be required it should be carried out by a competent person with reference to these instructions. Before any work is carried out the root cause of the problem must be identified. Lakes Bathrooms service engineers are available if necessary to consult / carry out remedial work. Call Lakes Bathrooms HELPLINE.

### Cleaning.

(Every one to two weeks depending on local water {hardness} conditions).

All glass panels in this product have a hydrophobic coating aiding 'runoff' of water droplets, reducing the need for frequent cleaning. For best appearance / product life however, regular cleaning is recommended.

Use ONLY mild soap / detergent solutions to clean. Rinse with water, squeegee glass panels & wipe frames dry with a soft cloth. Under no circumstances should abrasive, caustic or scouring products be used. Cleaning products should have pH value 4 ~ 8.

DO NOT use 'spray & leave' type cleaning products.

Non compliance with these cleaning instructions may cause plated / painted finishes to deteriorate & could adversely affect safe operation of the enclosure.

Limescale ~ should a build up of limescale occur, remove using a 50:50 solution of white vinegar & water applied with a soft cloth & rinsed / dried thoroughly afterwards.

### Daily Care.

To prevent the build up of limescale, do not allow water droplets to dry on glass or frames. After showering, rinse with water, remove droplets from glass with a squeegee & wipe frame with a soft cloth.

### Customer Service.

Quality Guarantee : Lakes Bathrooms Ltd guarantee Shower Doors & Enclosures against any manufacturing or material defects for the lifetime of the product. We will resolve defects free of charge by repairing / replacing parts as we feel necessary. To be 'free of charge' service work must be carried out by Lakes Bathrooms or approved agents.

Not Covered by this Guarantee : Damage or defects that result from improper installation, improper use, or lack of maintenance (including limescale buildup). Damage or defects that result from repairs / modifications undertaken by unauthorized persons. This guarantee is in addition to statutory & other legal rights.

What to do if something goes wrong : Should the product not function correctly on initial use, firstly, contact the installer to check that unit installation & commissioning are in accordance with these instructions. Should this not resolve difficulties or should performance decline, consult 'Troubleshooting' section to see if simple home maintenance is needed. Alternatively our HELPLINE staff can assist, or if necessary arrange for a service engineer to visit.

Spares : We maintain extensive spare part stocks. Spares can be ordered / purchased from your retailer in the first instance. Parts will normally be dispatched within two working days from order placement. Pro Forma invoices will be sent for cheque payments.

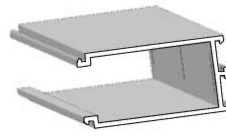
**SUPPLIED PARTS :**



Panel Sub Assy (2x)



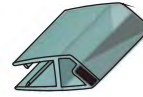
Door Glass (2x)



Wall Rail  
1850mm  
(2x)



Edge Seal  
(2x 1831mm)  
(2x 1760mm)



Magnetic Seal  
(2x)



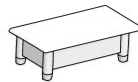
Top Wheel Assy (4x)  
(fitted to door glass)



Top Cap  
(Panel Rail)  
(1x LH & 1x RH)



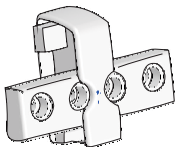
Bottom Wheel Assy (4x)  
(fitted to door glass)



Top Cap  
(Wall Rail ~ 2x)



Doorstop Block (4x)



Centre Bracket  
(2x)



Doorstop  
(Rubber) Buffer  
(4x)



Handle Kit (2x)  
comprising :  
Handle  
Top Knob  
Bottom Knob  
Screw (2 per kit)  
Sleeve (2 per kit)  
Washer (4 per kit)



4 x 45 long self tapping  
screw (6x) ~ fig A.



8mm Wall Plug  
(6x) ~ fig A.



3.5 x 10 long self tapping  
pan head screw (6x) ~ fig G.



Cup Washer (6x) ~ fig G.



Decorative Screw Cover Cap (6x)  
fig G.

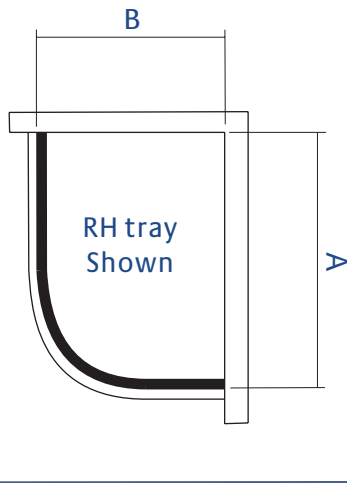


3.5 x 12 long self tapping  
countersunk screw (12x) ~ fig F.

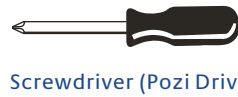
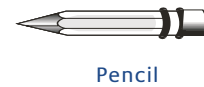
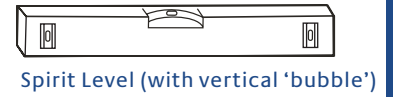


Decorative Screw Cover Cap (12x)  
fig F.

Standard Sizes	Adjustment Dim'n A & B
800mm	765 to 790mm
900mm	865 to 890mm
1000mm	965 to 990mm
Offset Sizes	Adjustment
900/800mm	A= 865 to 890mm B= 765 to 790mm
1000/800mm	A= 965 to 990mm B= 765 to 790mm
1200/800mm	A= 1165 to 1190mm B= 765 to 790mm
1200/900mm	A= 1165 to 1190mm B= 865 to 890mm



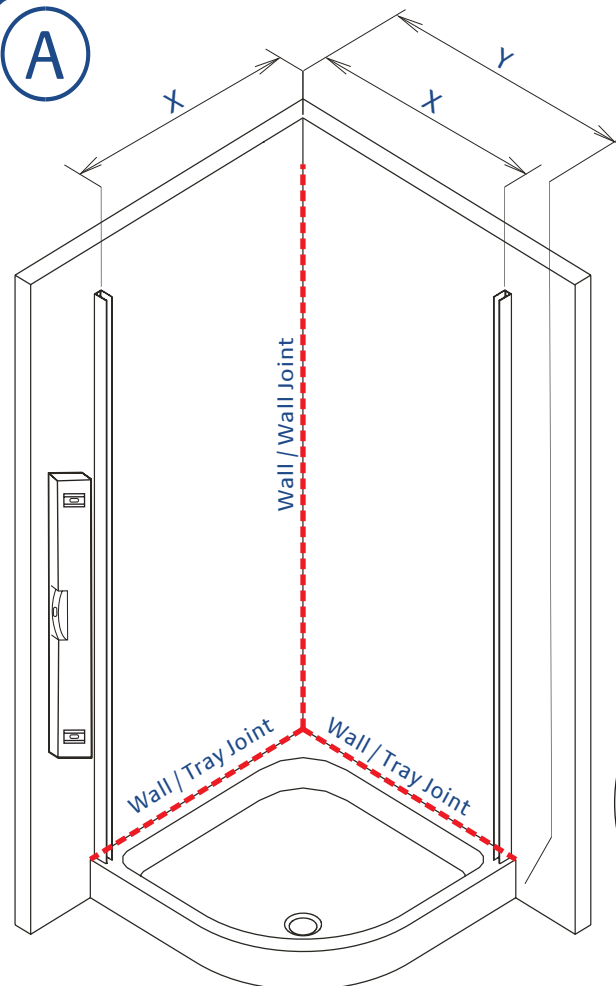
### Tools Required



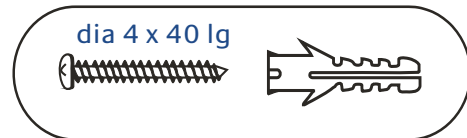
Lakes Offset Quadrant is fully reversible, so is suitable for fitting to either right or left hand Trays.

Ensure tray is correctly levelled & that tray / wall (tile) joints are sealed & cured over entire length of tray sides (See Fig A) prior to fitting enclosure.

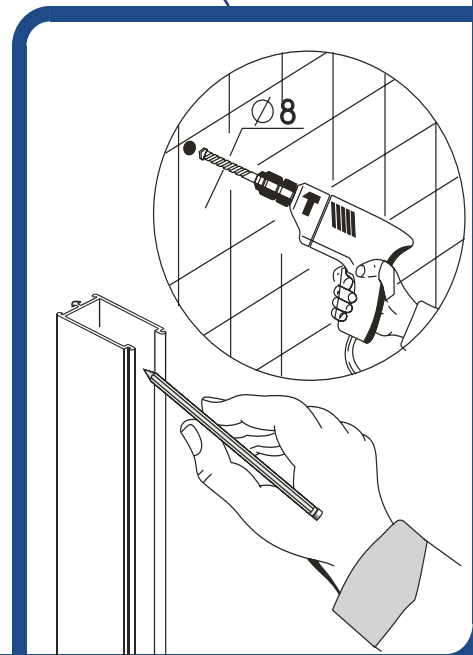
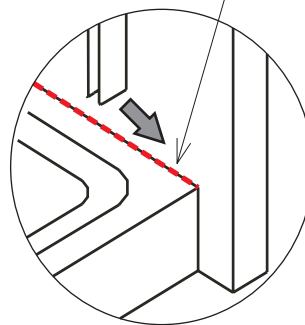
**DO NOT SEAL TRAY EDGES UP TO A FITTED ENCLOSURE !**



Wall Profile Position (To Inside) & Tray Protrusion		
Size	Dim'n X	Dim'n Y (Minimum)
800	752mm	785mm
900	852mm	885mm
1000	952mm	985mm
1200	1152mm	1185mm

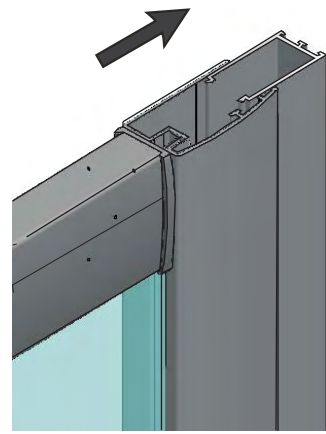
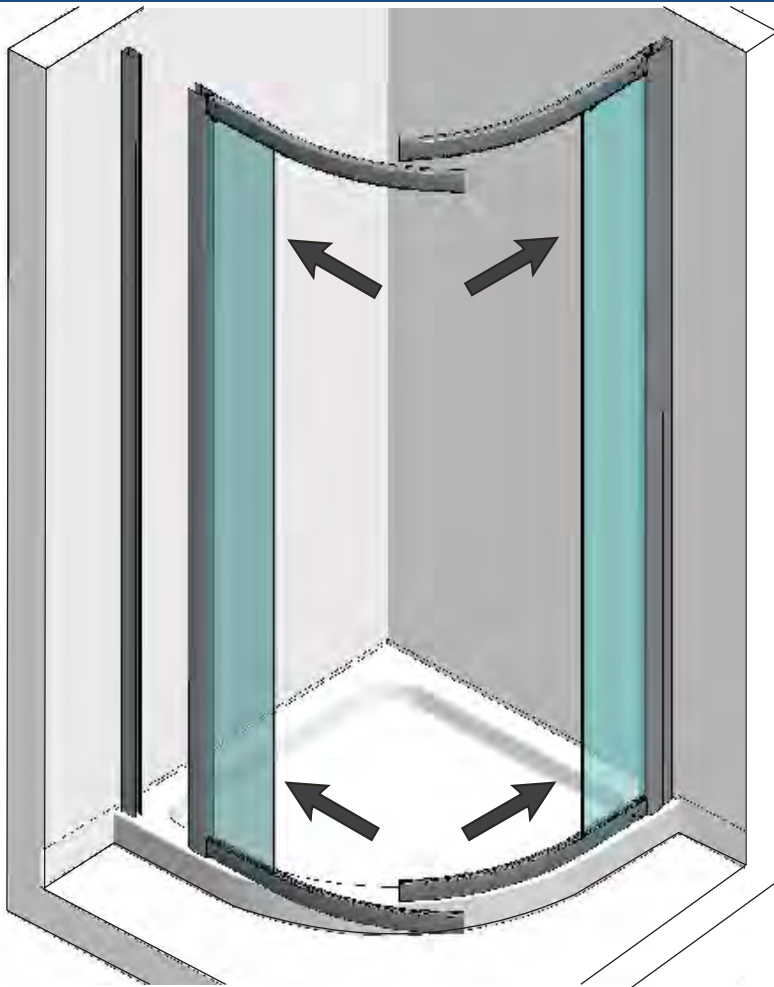


Ensure continuous silicone sealant bead before fitting wall rails



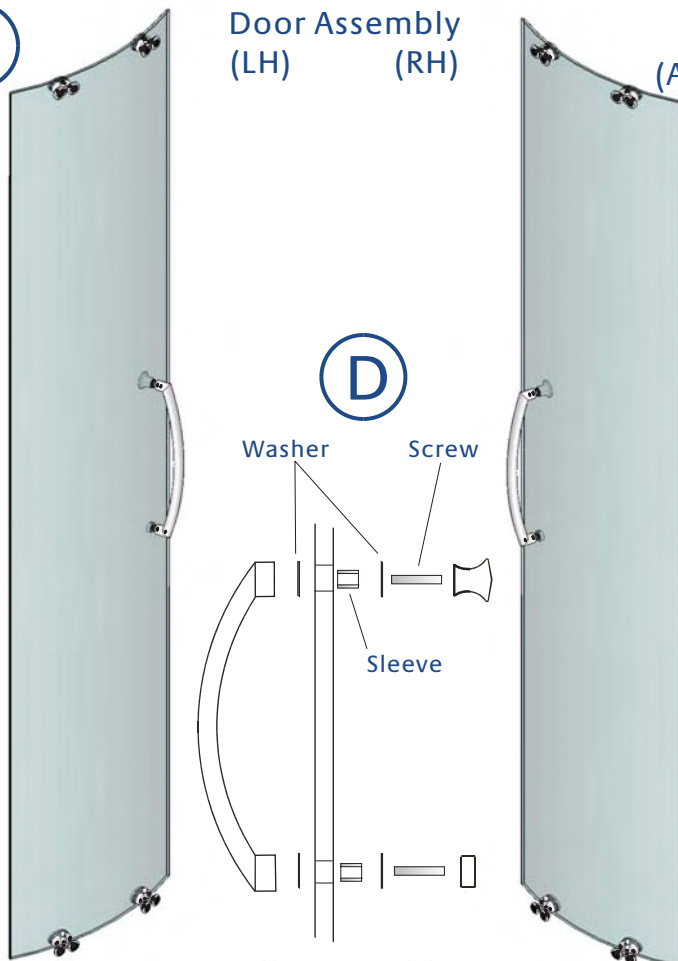
Measure & mark wall rail Positions. (ensure rails do not overhang tray edge). Mark fixing hole positions, drill, plug & affix wall rails.

**B**

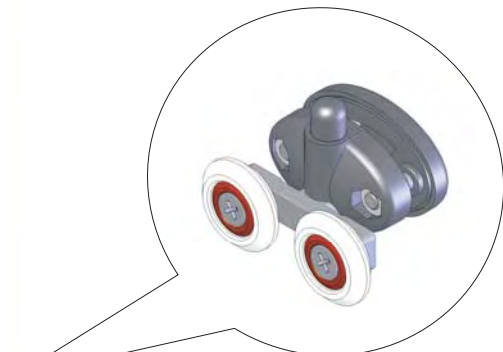
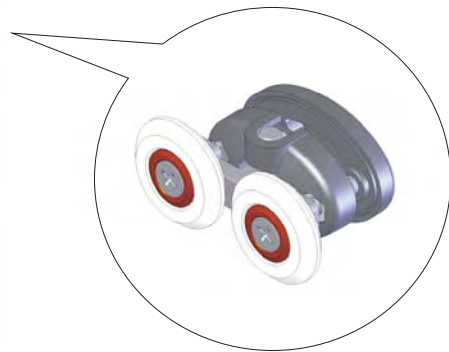


Fit Panels onto Wall Rails

**C**



Top Wheel ~ Screw Adjustable (Assemble with Screw Head to Underside)

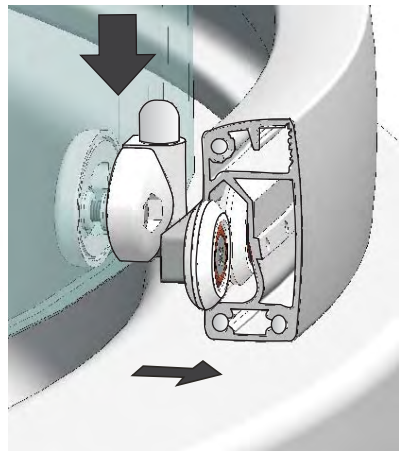
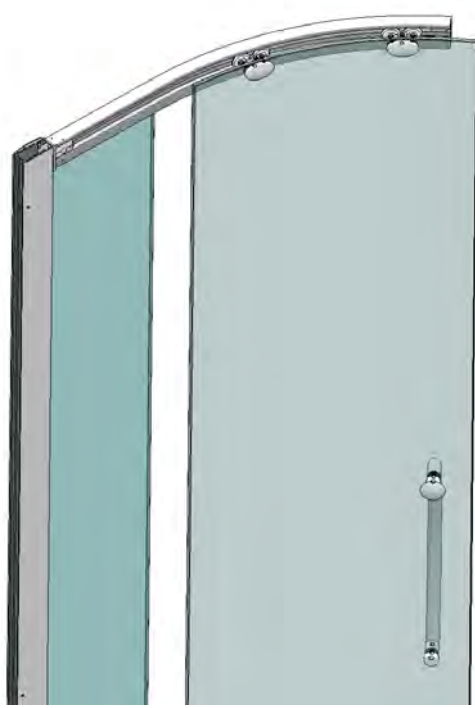


Bottom Wheel ~ Spring Loaded (Assemble with Button to Top)

E



Slide Door to Open Position

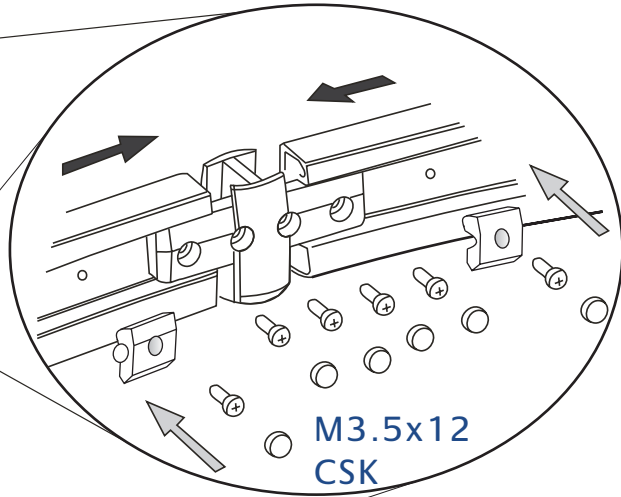
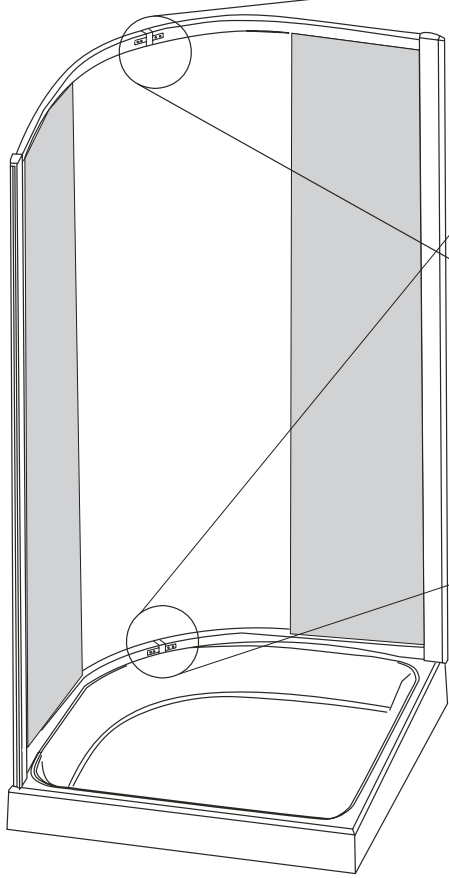


Press button & engage wheels in bottom rails

Carefully engage door top wheels onto respective panel rails

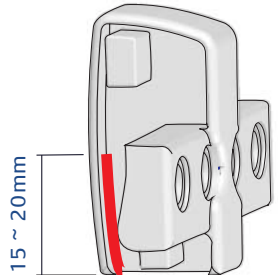
(Bottom wheels may be inserted into rail ends at same time)

F



M3.5x12 CSK

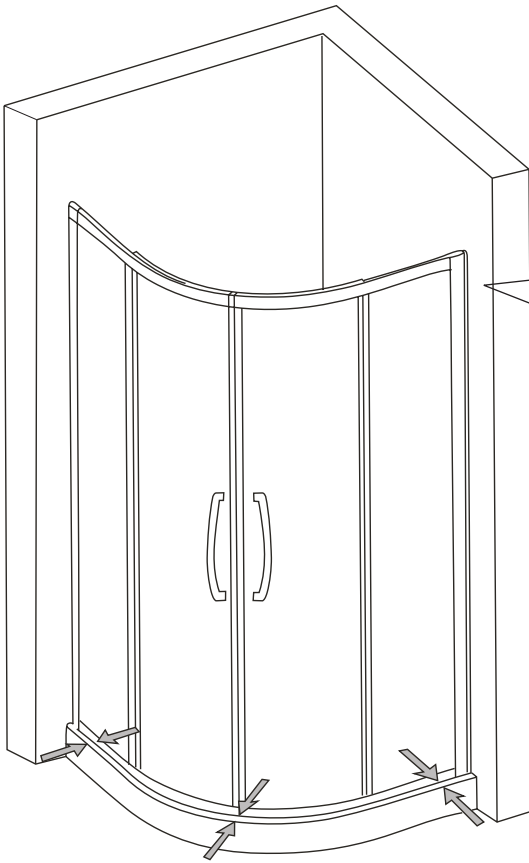
Assemble centre brackets & door stops ~ fit doorstop rubber buffers to wheel side of block



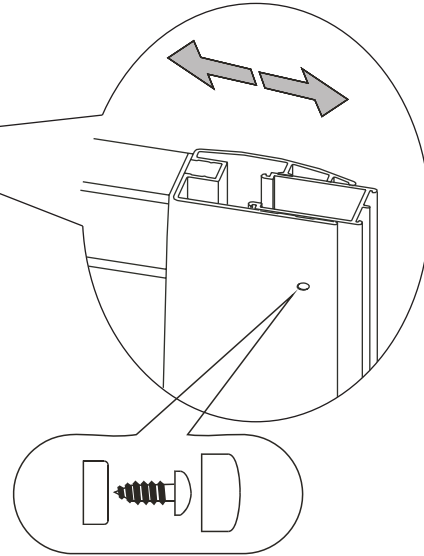
15 ~ 20mm

Apply silicone to both rail faces of lower centre bracket as indicated before fitting to rails. After joining wipe off all visible excess sealant.

G



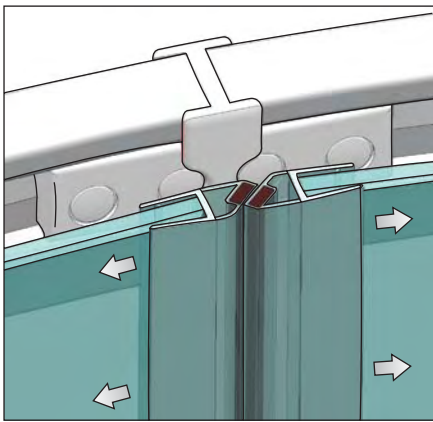
Adjust Enclosure panels to give even gap to tray edge all around.



M3.5x10 Pan Head

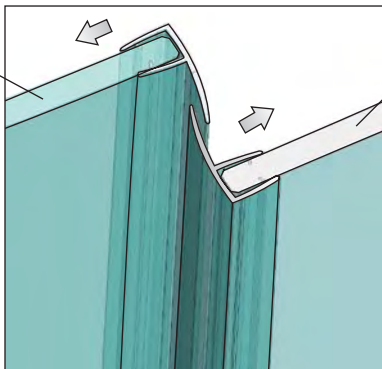
From inside enclosure, using vertical rail holes as a guide, drill ( Dia 3mm ) & using 'cup' washers & decorative caps screw enclosure to wall rails (6 places).

H



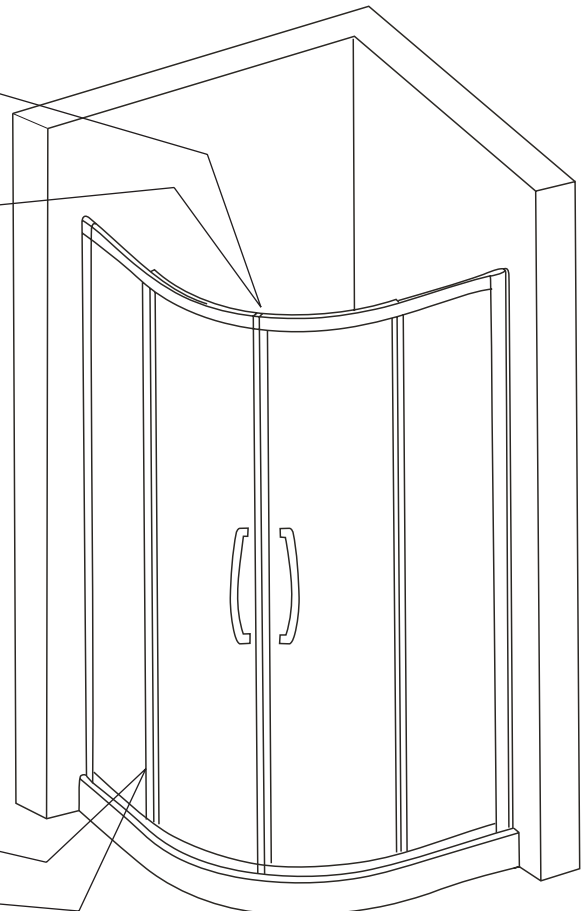
Fit Magnetic seals to door (centre) edges.  
(Note Seal Orientations)

Door Glass

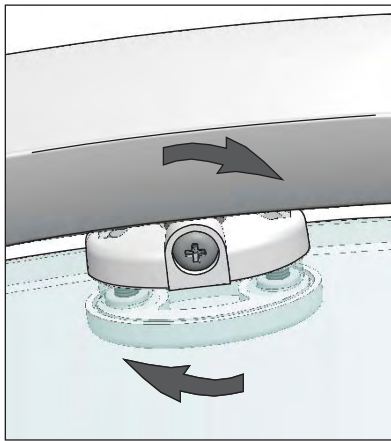


Panel Glass

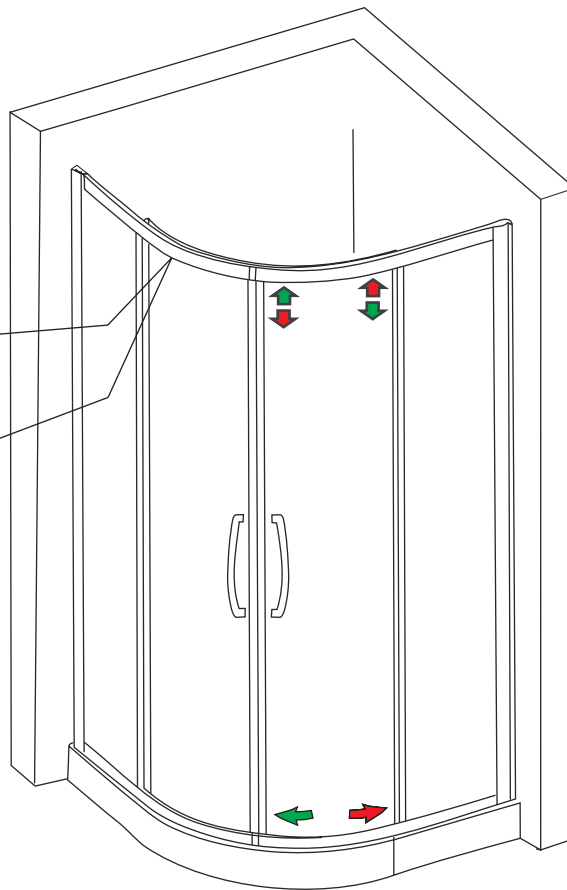
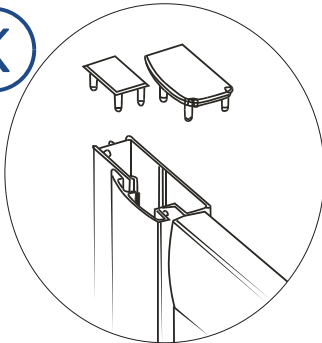
Fit Edge Seals to Door  
& Panel glass



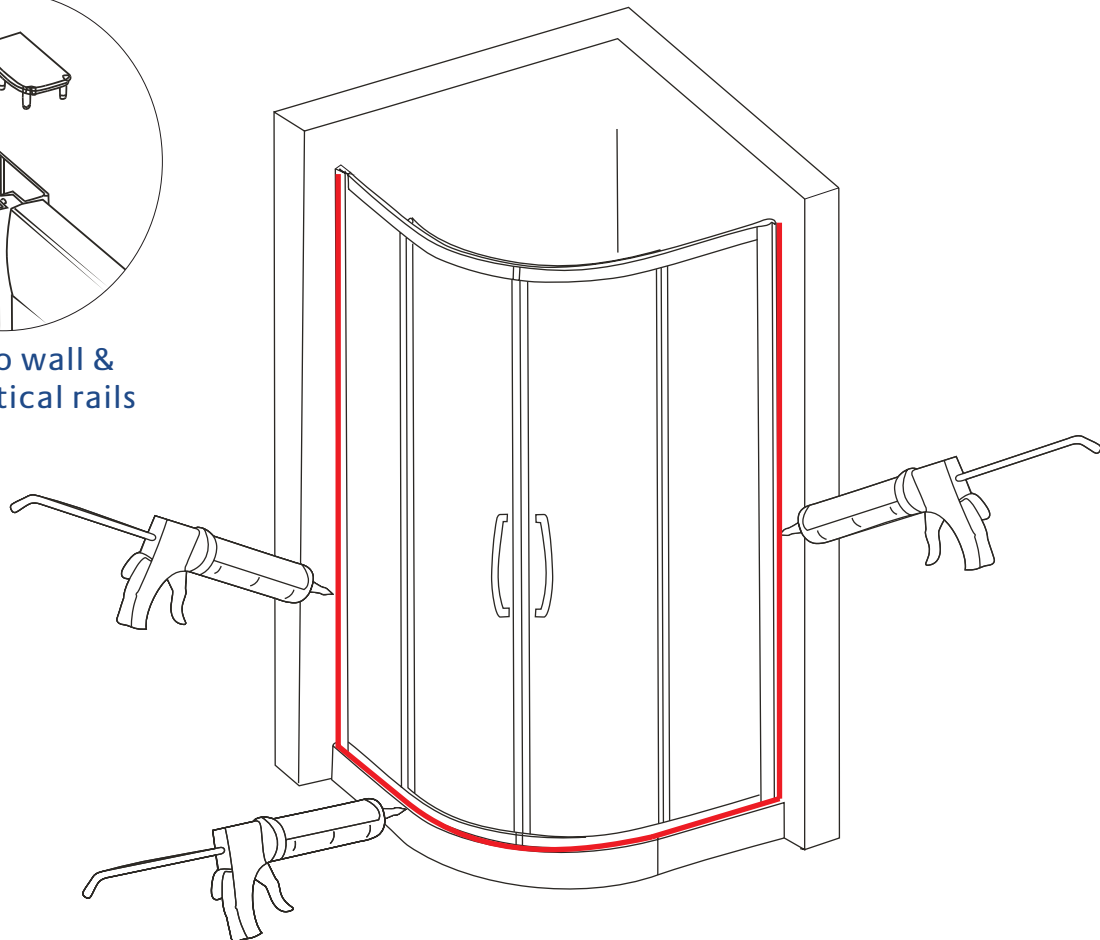
Note : Seals may be wetted to ease assembly.

**J**

Adjust door heights until even & doors run smoothly between stops. Adjust door angles so that magnetic seals hold doors closed with no gaps. Turn adjusting screw clockwise to raise door.

**K**

Fit Caps to wall & panel vertical rails



Use of good quality silicone sealant & cleaning / degreasing of all joint areas is recommended.

Apply continuous silicone sealant bead as indicated **EXTERNALLY ONLY**



## BASIC TROUBLESHOOTING :

Door magnetic seals not meeting precisely / not holding :  
Ensure magnetic seals are pushed fully onto door edge over entire door length.  
Check door alignments & adjust if necessary (see fig J).  
Check Magnetic Seal orientations (see fig H).

Door motion noisy / Door not running smoothly / Door loose on bottom rail :  
Check for edge seals dragging on glass (can cause 'clicking' noise).  
Check top wheels engaged properly in rails & roll smoothly along rails.  
Check door height adjustment ~ raise doors so that spring loaded bottom wheels are in contact with & roll smoothly along bottom rails.  
Wheels & Grooves are factory greased, however over time this may disperse or become contaminated by dust etc, cleaning of grooves & re application of sanitary silicone based grease will restore & ensure smooth door motion.

### Leakage :

The sealing method described in these instructions relies on a continuous seal being applied between shower walls & tray before installing the enclosure (see fig A), it ensures a watertight seal around the perimeter of the enclosure to the shower walls & tray.  
In the unlikely event of an enclosure leak, water will be visible on the outside of the enclosure itself, or around the perimeter silicone seal ONLY. Water / moisture appearing outside this area (ie at floor level) is normally due to incorrect tray installation.



Alpine Building Products  
Perth Western Australia  
Email: [sales@alpinekb.com.au](mailto:sales@alpinekb.com.au)  
Web: [alpinekb.com.au](http://alpinekb.com.au)

