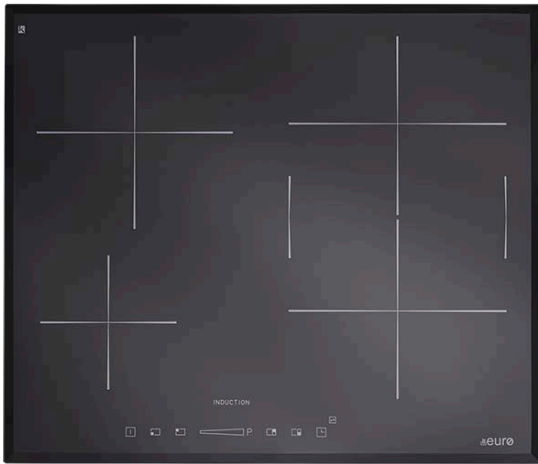


Code ESINF600B – 60cm Induction Cooktop



FLEXI DUAL ZONE FUNCTION

Using this function, you have the flexibility of using both zones together to gain extra cooking area for your dishes. Great for cooking large fish or meat dishes. The screen printing on the cooktop will indicate where the zones work together.

SAFETY SWITCH OFF DEVICE

This induction cooktop is equipped with a safety system which moves the hotplate to the OFF position. Each element has a maximum operating time. Great feature in case you have forgotten to turn off your cooking.

COUNTDOWN TIMER FUNCTION

The countdown timer function allows you to select the number of minutes you would like to cook for, finally an acoustic signal will be activated once the time has elapsed.

FEATURES

- Touch sensor
- Innovative temperature slide control
- 4 Cooking Zones
- Flexi dual zone function
- 9 Power settings
- Power Booster Functions
- Pan detector
- Residual Heat Indicator
- Safety Switch off Device
- Child Safety Lock Function
- Countdown Timer Function
- Bevelled edge glass
- Made In Italy

TOUCH SENSOR TEMPERATURE SLIDE CONTROL

This induction cooktop is equipped with a stylish touch sensor with the innovative slider temperature control, adding a touch of style and elegance to your kitchen.

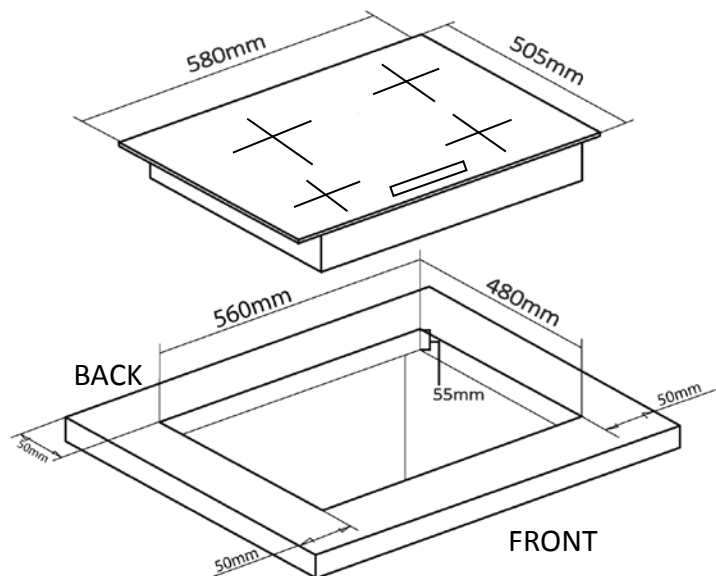
CHILD SAFETY LOCK FUNCTION

This induction cooktop comes with a child safety lock function which upon activation will block all functions for prevention of use from children.

POWER BOOSTER FUNCTION

The power booster function is exceptional for faster cooking & ideally for large volumes of food. Also great feature for quicker boiling of water for pasta dishes.

PRODUCT DIMENSIONS



ELECTRICAL REQUIREMENTS

30 amp dedicated circuit from cooktop to main switchboard

VOLTAGE: 220V-240V

FREQUENCY: 50-60HZ

TOTAL RATED LOAD: 7000W

Front Left zone: 1800W (Diameter 145mm)

Rear Left zone: 3000W (Diameter 210mm)

Right Dual zone: 2500W (Diameter 235mm x 190mm)

WEIGHT:

8.0 kg Gross

TIPS ABOUT INDUCTION COOKTOPS

Induction electric cooktops are suited to consumers who are truly energy-conscious as well as providing rapid heating. Induction Cooktops result in up to 40% greater energy efficiency than gas cooktops and up to 26% greater energy efficiency than ceran glass cooktops.

