



Island Rangehood

Instruction Manual

EP900ISX2

EURO APPLIANCES BY EUROSTYLE GROUP

CONTENT

1	Notice
2	Installation Requirements
3	Installation – Fitting the Rangehood.
4	Safety Warning
5	Instructions for Use
6	Maintenance
7	Troubleshooting

(1) Notice

1. Thank you for choosing our Island Rangehood. Please read this instruction manual carefully before use.
2. The installation work must be undertaken by a qualified and competent installer in compliance with applicable Australian Standards.
3. Euro Appliances disclaims all liability for any damage or injury caused as a result of not following these instructions for installation.

This Rangehood is suitable for connection to a 240V, 50Hz power supply with a proper earth.

Contents

1 x Island Rangehood

1 x Packet of Screws, Fittings & Brackets

1 x plastic outlet with plastic flaps

1 x Set of Chimney Pieces (Upper & Lower)

1 x Operating & Installation Instructions

(2) Installation - Requirements

Warning: This Rangehood is suitable for indoor island installation only in accordance with the following:

- Installation must be performed by a qualified competent installer.
 - If installed above a barbecue, the minimum distance from the cooking grid/plate is 120cm.
 - If installed above a cooking appliance, the minimum distance from the cooking surface is 65cm.
1. Before installation, please ensure the area is clean to avoid suction of any debris such as bits of broken wood, sawdust, etc.
 2. Flexible duct bending should be $\geq 120^\circ$.
 3. There shall be adequate ventilation of the room when the Rangehood is used at the same time as appliances burning gas or other fuels (not applicable to appliances that only discharge the air back into the room).
 4. The air must not be discharged into a flue that is used for exhausting fumes from appliances burning gas or other fuels (not applicable to appliances that only discharge the air back into the room).
 5. Regulations concerning the discharge of air have to be fulfilled.

(3) INSTALLATION

This Rangehood must be placed at a distance of 65cm minimum from the cooking surface of a cooker/hotplate and 120cm minimum from the cooking surface of a BBQ.

3.1 The ceiling must be able to bear at least 40kgs weight. Cut a 170mm round hole in the ceiling.

3.2 To fix the hanging board, drill 12 holes in the ceiling using the plate as a template (refer to pic 2). Use the 12 ST6x40mm screws and fittings to fix the hanging board on the ceiling.

3.3 Use 8pcs of M4x10 screws and M4 nut with washer to connect the angle iron onto the corners of the hanging board (refer to pic 2).

3.4 Calculate the length of the angle iron (refer to pic 1) and use 16pcs M4x10 screws and M4 nut with washer to connect one length of angle iron to another. The overlap length of angle iron must not be less than 100mm.

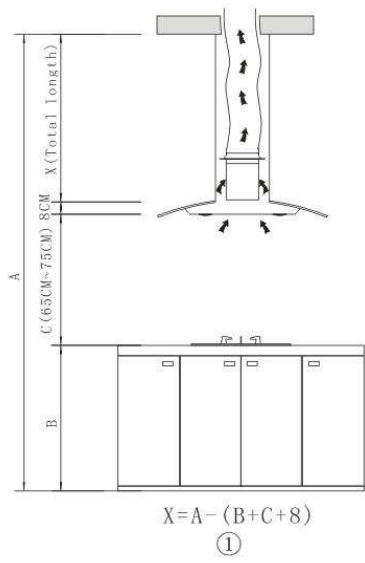
3.5 Fit one side of the flexible duct (not included with the Rangehood) through the 170mm hole in the ceiling (refer to pic 3).

3.6 Use 4pcs of ST4x8 screws to attach the internal chimney onto the hanging board. Slide the external chimney over the internal chimney and fit one 1pcs of ST4x8 screw to stop it from falling down (refer to pic 4).

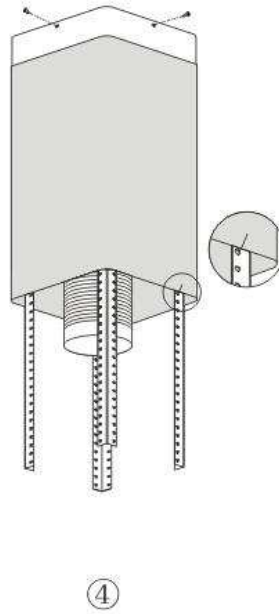
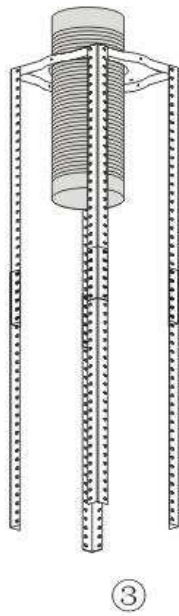
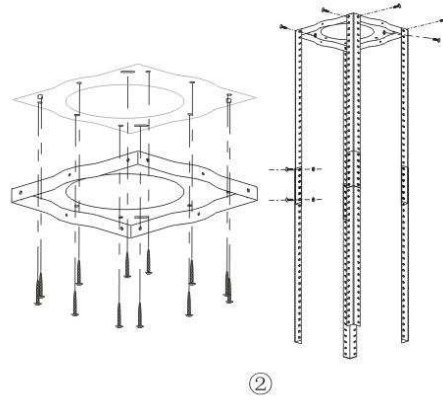
3.7 Attach the plastic outlet to the top of the Rangehood using 4pcs ST4x8 (refer to pic 5).

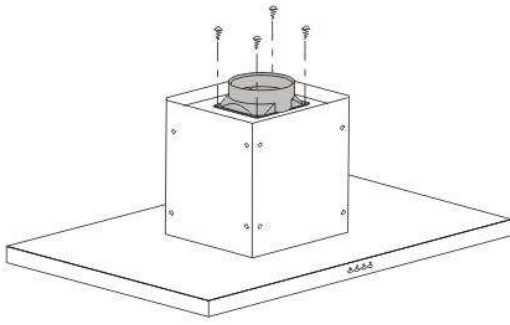
3.8 With assistance, hold up the Rangehood body and attach it to the angle iron frame using 16pcs M4x10 screws and tighten them securely (refer to pic 6).

3.9 Lower the flexible pipe onto the plastic outlet. Carefully remove the screw from the external chimney and lower it down into place. The installation is now finished, refer to pics 7 & 8.

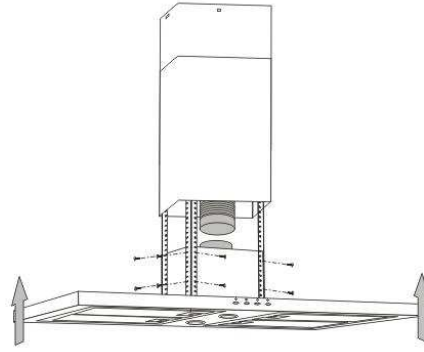


Note C = 120cm min if installed above a BBQ.

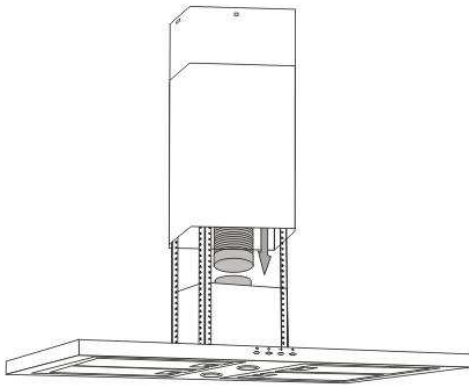




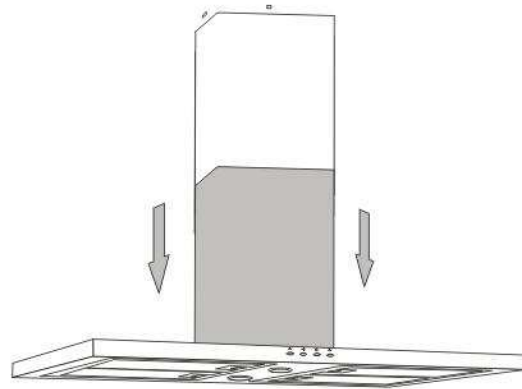
⑤



⑥



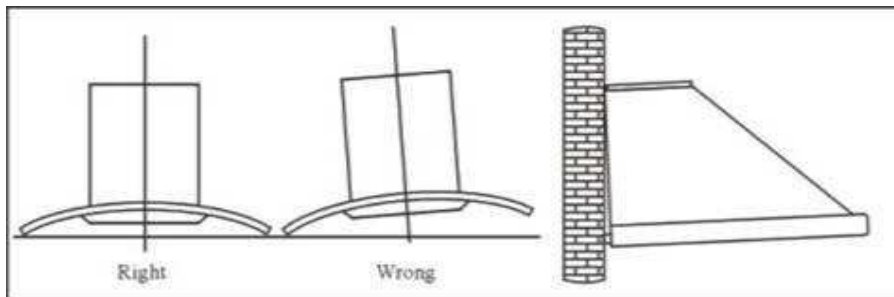
⑦



⑧

Warning: Failure to install the screws or fixing device in accordance with these instructions may result in electrical hazards.

After installation, make sure that the Rangehood is level to avoid grease collecting at one end.



⑨




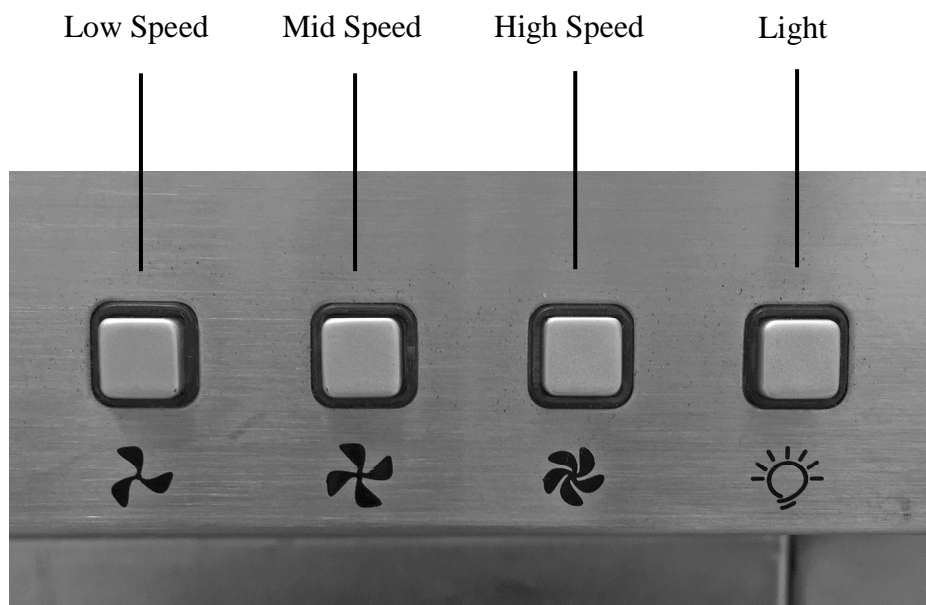
(4) Safety Warnings

- This Rangehood is for domestic use only, it is not suitable for commercial purposes.
- Please ensure that installation is performed by a qualified competent installer.
- The Rangehood and its filter mesh should be cleaned regularly in order to keep it in good working order.
- Before cleaning, please switch the power off at the main supply.
- Clean the Rangehood according to the instruction manual. There is a fire risk if cleaning is not carried out in accordance with the instructions.
- If there is any fault with the appliance, please switch off immediately, disconnect and call the service department to arrange a service.
- DO NOT flambé under the Rangehood.
- CAUTION: Accessible parts may become hot when used with cooking appliances
- This appliance is not intended for use by persons (including children) with reduced physical, sensory or mental capabilities, or lack of experience and knowledge, unless they have been given supervision or instruction concerning use of the appliance by a person responsible for their safety.
- Children should be supervised to ensure that they do not play with the appliance. Never let the children operate the Rangehood.
- If the supply cord is damaged, it must be replaced by the manufacturer, its service agent or similarly qualified persons in order to avoid a hazard.

(5) Instructions for Use

Switch on the power to the Canopy.

1. Push the low button, the indicating light around the button will illuminate a  the motor runs at low speed. Push it again and the motor will stop and the light will switch off.
2. Push the **middle** button, the indicating light around the button will illuminate and the motor runs at mid speed. Push it again and the motor will stop and the light will switch off.
3. Push the high button, the indicating light around the button will illuminate and the motor runs at high speed. Push it again and the motor will stop and the light will switch off.
4. Push the light button; the indicating light around the button will illuminate and the two lighting lamps will switch on. Push it again and the lamps will switch off.



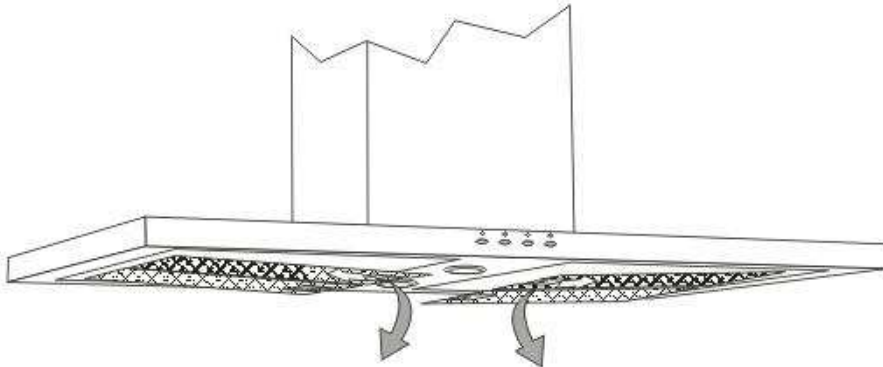
(6) Maintenance

6.1 Cleaning the filters

The filter mesh is made of high-density stainless steel. Please do not use corrosive detergent on it. Keeping this filter clean will keep the appliance running correctly. Please strictly follow the guidelines below.

Method 1: Put the mesh into a sink of clean water, pour on detergent, and soak for 2-3 minutes. Wear gloves and clean with a soft brush. Please do not apply too much pressure, as the mesh is delicate and can be easily damaged.

Method 2: Wash in a dishwasher with the temperature set to around 60 degrees.



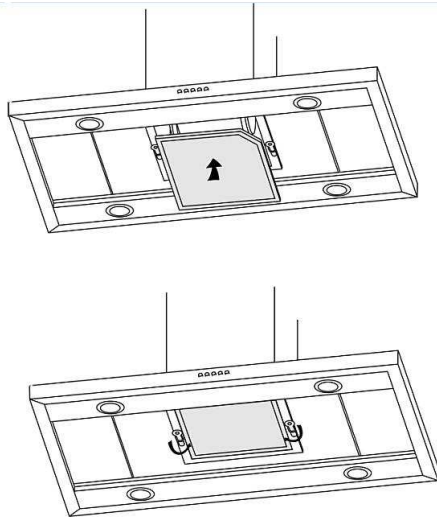
6.2 Cleaning the Rangehood

1. To protect the main body from corrosion, the Rangehood should be cleaned with hot water plus non corrosive detergents every two months.
2. Please do not use abrasive detergent because it will damage the Rangehood.
3. Keep water away from motor and other electrical parts as this will cause damage to the appliance.
4. Before cleaning the appliance please remember to shut off the power and disconnect the plug.
5. Do not expose the carbon filter to heat.
6. Please don't tear open the fixed bar around the carbon filter.

7. If the supply cord is damaged, it must be replaced by the manufacturer, its service agent or similarly qualified persons in order to avoid a hazard.

6.3 Replacing the Carbon Filter

1. Detach the metallic anti-grease filters by pressing the lock and pulling downwards.
2. Fit the carbon filters by the rotating the locks in the casing.



(7) Troubleshooting

Warning: Service must be performed by an authorised competent person.

Fault	Cause	Solution
Light on, but motor does not work	The flaps are blocked	Remove the blockage.
	The capacitor is damaged	Call for service.
	The motor is jammed due to bearing damage	Call for service.
	There is a bad smell coming from the motor	Call for service.
Light does not work, motor does not work	Beside the above mentioned, check the following:	
	Light damaged	Call for service.
	Power cord not connected	Check plugged in and switched on that power is available.
Oil leakage	Filters saturated with cooking oils.	Clean the filters.
	Leakage between the connection of U-shaped section and rangehood	Remove U-shaped section and seal
Vibrations	The flaps are damaged and causes shaking	Call for service.
	The motor is not fixed securely to the rangehood body	Call for service.
	The rangehood body is not fixed securely to the wall	Notify your installer.
Insufficient suction	The distance between the rangehood and the cooking surface is too much	Notify your installer.
	Too much ventilation from open doors or windows	Close doors or windows, choose an alternative location, if possible, away from draughts.

The rangehood inclines	The fixing screws are not tight enough	Notify your installer.
	The hanging screws are not tight enough	Notify your installer.

Eurostyle Group trading as Euro Appliances

Service Line: (08) 8165 1012

Fax: (08) 8165 1018

Email: admin@eurostylegroup.com.au