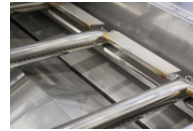


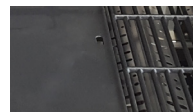
# 6 Burner Built-In + Flat Lid

## BARBECUE

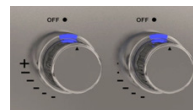
PRODUCT CODE: **EAL1200FBQ**



304 Grade  
Stainless Steel  
Tubes Burners



Cast Iron Plate  
and Grills



Control knob blue  
lighting

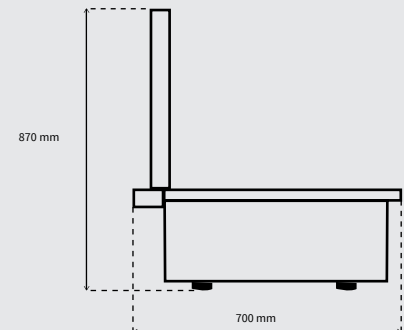
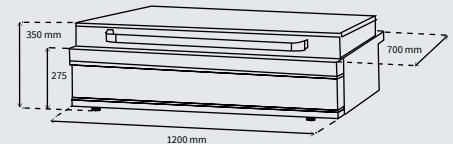


euroalfresco



Warranty

### PRODUCT DIMENSIONS



### FEATURES:

- + 6 gas burner unit with flat lid
- + 304 grade stainless steel, double skin hood, cooking chassis, tube burners, flame tamers
- + 2 cast iron cooking grills
- + 1 Reversible cast iron griddle plate
- + Easy removable drip tray
- + Push button battery ignition
- + Control knob blue lighting
- + Side heat deflectors (for built-in use)
- + LPG jets fitted
- + Natural gas conversion (Optional)
- + BBQ cover included

### SPECIFICATIONS:

<b>Cooking Area Dim.</b>	W960mm x D455mm
<b>Lid Type</b>	Flat
<b>No. of Burners</b>	6
<b>Plate and Grill</b>	Cast Iron
<b>Stainless Steel Grade</b>	304
<b>Weight</b>	57.0kg gross / 49.0kg net
<b>Total Gas Consumption</b>	78.0 MJ/h LPG / 66.0 MJ/h natural
<b>Main Burners Gas Consumption</b>	13.0 MJ/h LPG / 11.0 MJ/h natural

### INSTALLATION INFORMATION

Warning: These BBQ's are only to be used outdoors, they must not be used indoors. If storing indoors, remove the gas cylinder. The BBQ can be used/installed in an alfresco area in accordance with the following: Alfresco area must comply with the definition of an outdoor area in AS4557:2004 clause 1.2.46 - Natural gas BBQ's must be installed only by an authorized person- Clearances to combustible materials must be maintained. - If installed below a rangehood, the minimum distance from the cooking grid/plate to the rangehood is 1200mm - Refer to instruction manual for further details.

### ACCESSORY INFORMATION

Natural gas jets kit code: EALNGCK  
(set of natural gas jets to be ordered separately)

### IMPORTANT INFORMATION

For natural gas conversion, please refer to Instruction manual and must be installed by an authorised person. Propane gas bottle not included.