

# 4 Burner Built-In + Hood BARBECUE

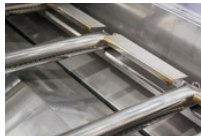
PRODUCT CODE: **EAL900RBQ**



One Touch  
Battery  
Ignition



Light  
Switch



304 Grade Stainless  
Steel Tube Burners



Internal Lights



304 Grade Stainless  
Steel flame tamers

## FEATURES:

- + 4 gas burner unit with hood
- + 304 grade stainless steel, double skin hood, cooking chassis, tube burners, flame tamers, fire box
- + 1 Reversible cast iron cooking grill
- + 1 Reversible cast iron griddle plate
- + 1 x stainless steel Warming rack
- + Easy removable drip tray
- + Push button battery ignition
- + LPG jets fitted
- + Natural gas conversion (Optional)
- + BBQ cover included

## SPECIFICATIONS:

<b>Cooking Area</b>	W660mm x D455mm
<b>Lid Type</b>	Hood
<b>No. of Burners</b>	4
<b>Plate and Grill</b>	Cast Iron
<b>Stainless Steel Grade</b>	304
<b>Weight</b>	52.0kg gross / 40.0kg net
<b>Total Gas Consumption</b>	52.0 MJ/h LPG / 44.0 MJ/h natural
<b>Main Burners Gas Consumption</b>	13.0 MJ/h (1200 BTU) LPG / 11.0 MJ/h natural

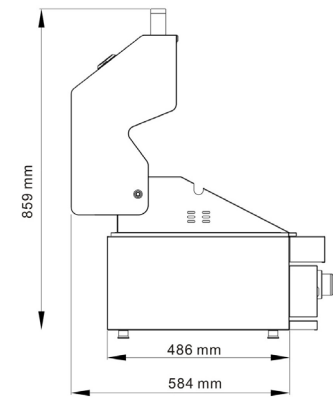
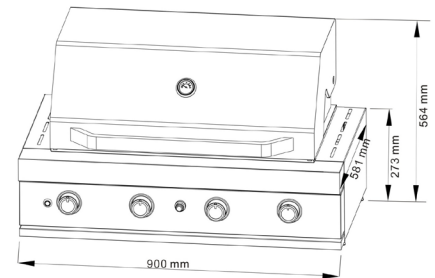


eurolfresco



Warranty

## PRODUCT DIMENSIONS



## INSTALLATION INFORMATION

Warning: These BBQ's are only to be used outdoors, they must not be used indoors. If storing indoors, remove the gas cylinder. The BBQ can be used/installed in an alfresco area in accordance with the following: Alfresco area must comply with the definition of an outdoor area in AS4557:2004 clause 1.2.46 - Natural gas BBQ's must be installed only by an authorized person- Clearances to combustible materials must be maintained. - If installed below a rangehood, the minimum distance from the cooking grid/plate to the rangehood is 1200mm - Refer to instruction manual for further details.

## ACCESSORY INFORMATION

Natural gas jets kit code: EALNGCK  
(set of natural gas jets to be ordered separately)

## IMPORTANT INFORMATION

For natural gas conversion, please refer to Instruction manual and must be installed by an authorised person. Propane gas bottle not included.