

## Code ES60GFDBL – 60cm Gas on Ceramic Cooktop



### CAST IRON TRIVETS

Non-slip cast iron trivets are standard with this cook top and removable for easy cleaning.

### GAS ON CERAMIC COOKTOP

The best of both worlds. The efficiency of gas, combined with the easy clean ceramic glass cook top, the non-porous glass surface makes cleaning this unit simple and easy.

### FEATURES

- 3 gas burners + triple ring wok burner
- Flame failure safety device
- Front control knob
- 1 touch electric ignition
- Non-slip cast iron trivets
- Wok support trivet included
- Natural gas or LPG (jets included)
- Easy Clean Ceramic glass cooktop

### FLAME FAILURE SAFETY DEVICE

The flame failure device is a safety mechanism which ensures the gas is automatically turned off in the case of the flame extinguishing.

### ONE TOUCH ELECTRONIC IGNITION

This gas cooktop uses a one-touch electronic ignition system. Simply push down the knob and turn to the desired setting, the flame will ignite automatically.

### ELECTRICAL REQUIREMENTS:

Cooktop is supplied with 10 amp plug & cord.

### GAS RATED PRESSURE:

LPG GAS: 2.75 kPa

NATURAL GAS: 1.00 kPa

### GAS BURNERS:

(REAR LEFT) SEMI RAPID BURNER:

Natural 7.1 MJ/h / LPG 6.3 MJ/h

(REAR RIGHT) RAPID BURNER:

Natural 12.0 MJ/h / LPG 10.4 MJ/h

(FRONT LEFT) ULTRA RAPID (WOK) BURNER:

Natural 14.5 MJ/h / LPG 12.6 MJ/h

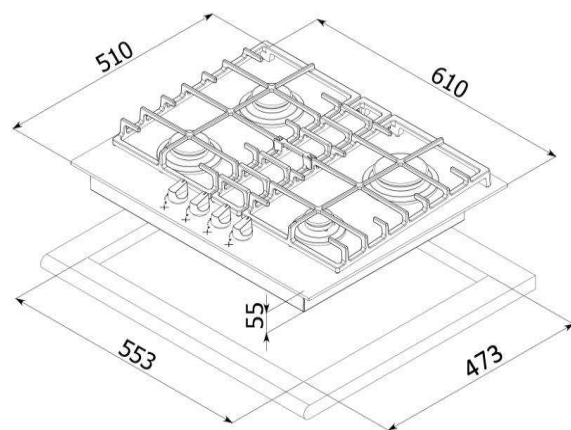
(FRONT RIGHT) AUXILIARY BURNER:

Natural 4.1 MJ/h / LPG 3.6 MJ/h

### WEIGHT:

16.0kg (gross)

### PRODUCT DIMENSIONS



### INSTALLATION:

Please refer qualified installer to our product instruction manual.

